

Notes:

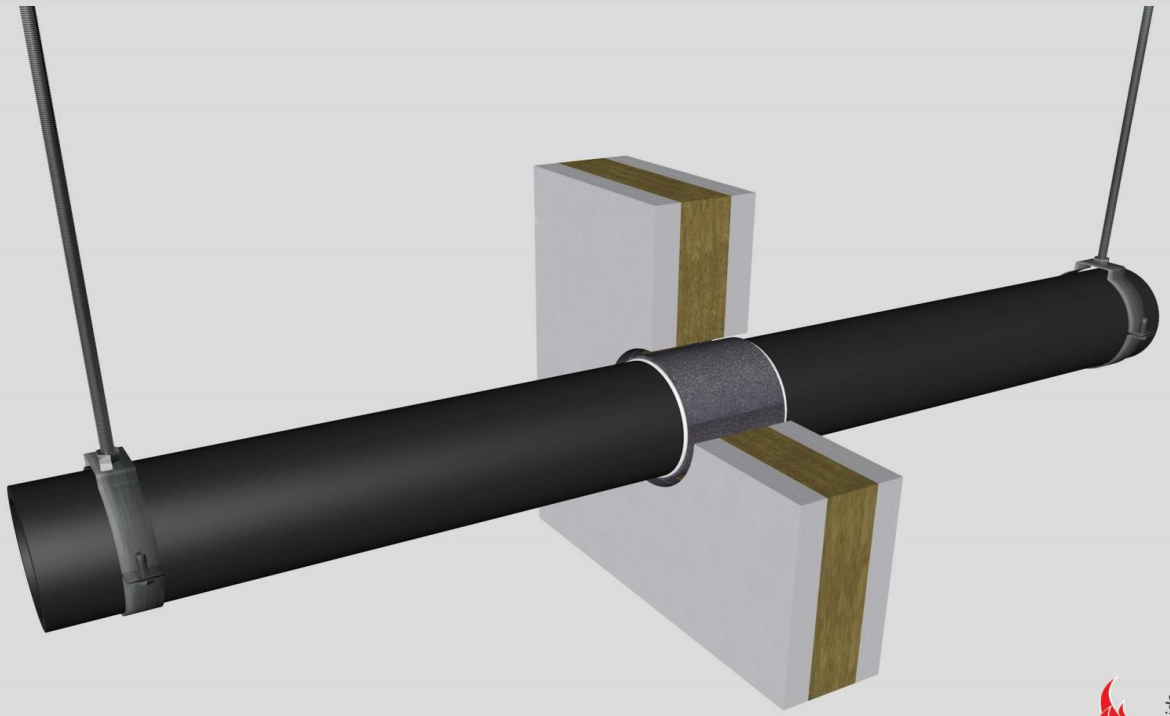
- installation instructions in [TDS](#)
- apply smoke seal Firetect Acrylic on 2 sides
- **other pipe dØ + s1** (thickness) are allowed within range and same pipe material
- EI for flexible walls ≥100mm is also applicable for **rigid walls** ≥100mm
- angle: perpendicular + all angles between 90° and 45°

principle detail



tested property
test method
service no.

fire resistance
EN 1366-3
0286



PE + PP + PVC pipes

Wrap

Firetect pipe wrap
length
π x Ø x no. of layers

dØ (mm)	service type ¹⁾	s1 (mm)	EI	constructive element ²⁾	Firetect pipe wrap length π x Ø x no. of layers	application 1 or 2 sides	finish required	max. opening in construction	pipe end configuration	max. angle
up to										
Ø110	PE	3,4 up to 10,0	EI 120	flexible walls ≥ 100 mm	π x Ø x 2	2 sides	*	132 mm	U/C + C/C	perpendicular + all angles between 90° and 45°
	PVC	2,7 up to 10,0								
	PP	2,7 up to 6,3								
max.										
Ø125	PE	3,9 up to 11,7	EI 60	flexible walls ≥ 100 mm	π x Ø x 2	2 sides	*	133 mm	U/C + C/C	
	PVC	3,1 up to 11,7								
	PP	3,1 up to 7,1								
individual test results										
Ø90	PE	3,5 up to 8,2	EI 120	rigid walls ≥ 100 mm in FR mortar	π x Ø x 1	2 sides	-	200 x 1000 mm	U/C + C/C	perpendicular + all angles between 90° and 45°
	PVC	3,0 up to 8,2								
	PP	3,0 up to 8,2								
Ø110	PE	3,4	EI 60	flexible walls ≥ 100 mm	π x Ø x 2	2 sides	*	600 x 1200 mm	U/C + C/C	

in PA board 2S 50 mm

* smoke seal Acrylic on 2 sides

¹⁾ Penetration services must be supported; support distance ≤ 500mm (wall) or ≤ 400mm (floor).
²⁾ Constructive element must be classified acc. EN 13501-2 for the required fire resistance period. EI for flexible walls ≥100mm is also applicable for rigid walls ≥100mm!