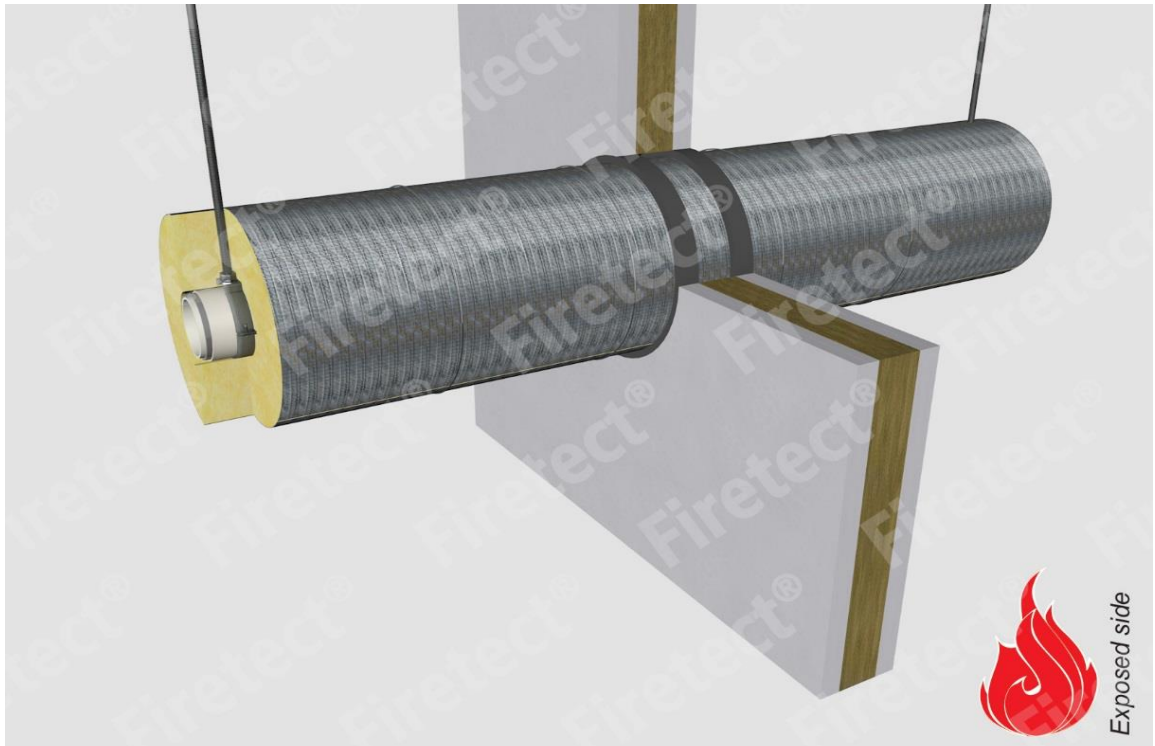


tested property
test method
service no.

fire resistance
EN 1366-3
21-5



aluPE-X pipes

Graphite sealant

service type ¹⁾ dØ (mm)	s1 (mm)	pipe insulation ²⁾ min. 75 kg/m ³ eg Climpipe, Rockwool or U Protect Pipe Section Alu2	EI	constructive element ³⁾	Firetect joint seal		application 1 or 2 sides	backing required	max. opening in construction	pipe end configuration	max. angle		
					width	depth							
Ø16	2,0	glass / rock wool 20mm	1200 CS + CI	EI 120	flexible walls ≥ 100 mm	10 mm	25 mm	2 sides	-	76 mm	U/C + C/C	perpendicular + all angles between 90° and 45°	
			1200 CS + CI	EI 240	rigid walls ≥ 150 mm	15 mm	25 mm	2 sides	-	86 mm	U/C + C/C		
	30mm	1200 CS + CI	EI 120	flexible walls ≥ 100 mm	10 mm	25 mm	2 sides	-	96 mm	U/C + C/C			
		1200 CS + CI	EI 240	rigid walls ≥ 150 mm	15 mm	25 mm	2 sides	-	106 mm	U/C + C/C			
	40mm	1200 CS + CI	EI 120	flexible walls ≥ 100 mm	10 mm	25 mm	2 sides	-	116 mm	U/C + C/C			
		1200 CS + CI	EI 240	rigid walls ≥ 150 mm	15 mm	25 mm	2 sides	-	126 mm	U/C + C/C			
	50mm	1200 CS + CI	EI 120	flexible walls ≥ 100 mm	10 mm	25 mm	2 sides	-	136 mm	U/C + C/C			
		1200 CS + CI	EI 240	rigid walls ≥ 150 mm	15 mm	25 mm	2 sides	-	146 mm	U/C + C/C			
	60mm	1200 CS + CI	EI 120	flexible walls ≥ 100 mm	10 mm	25 mm	2 sides	-	156 mm	U/C + C/C			
		1200 CS + CI	EI 240	rigid walls ≥ 150 mm	15 mm	25 mm	2 sides	-	166 mm	U/C + C/C			
	80mm	1200 CS + CI	EI 120	flexible walls ≥ 100 mm	10 mm	25 mm	2 sides	-	196 mm	U/C + C/C			
		1200 CS + CI	EI 240	rigid walls ≥ 150 mm	15 mm	25 mm	2 sides	-	206 mm	U/C + C/C			
	max.												
	Ø75	7,5	glass / rock wool 20mm	1200 CS + CI	EI 120	flexible walls ≥ 100 mm	10 mm	25 mm	2 sides	-	135 mm		U/C + C/C
1200 CS + CI				EI 240	rigid walls ≥ 150 mm	15 mm	25 mm	2 sides	-	145 mm	U/C + C/C		
30mm		1200 CS + CI	EI 120	flexible walls ≥ 100 mm	10 mm	25 mm	2 sides	-	155 mm	U/C + C/C			
		1200 CS + CI	EI 240	rigid walls ≥ 150 mm	15 mm	25 mm	2 sides	-	165 mm	U/C + C/C			
40mm		1200 CS + CI	EI 120	flexible walls ≥ 100 mm	10 mm	25 mm	2 sides	-	175 mm	U/C + C/C			
		1200 CS + CI	EI 240	rigid walls ≥ 150 mm	15 mm	25 mm	2 sides	-	185 mm	U/C + C/C			
50mm		1200 CS + CI	EI 120	flexible walls ≥ 100 mm	10 mm	25 mm	2 sides	-	195 mm	U/C + C/C			
		1200 CS + CI	EI 240	rigid walls ≥ 150 mm	15 mm	25 mm	2 sides	-	205 mm	U/C + C/C			
60mm		1200 CS + CI	EI 120	flexible walls ≥ 100 mm	10 mm	25 mm	2 sides	-	215 mm	U/C + C/C			
		1200 CS + CI	EI 240	rigid walls ≥ 150 mm	15 mm	25 mm	2 sides	-	225 mm	U/C + C/C			
80mm		1200 CS + CI	EI 120	flexible walls ≥ 100 mm	10 mm	25 mm	2 sides	-	255 mm	U/C + C/C			
		1200 CS + CI	EI 240	rigid walls ≥ 150 mm	15 mm	25 mm	2 sides	-	265 mm	U/C + C/C			

¹⁾ Penetration services must be supported; support distance ≤ 500mm.

²⁾ Pipe insulation must be fastened individually (not wrapped!) with steel wire: at max. 50mm + 300mm from constructive element.

³⁾ Constructive element must be classified acc. EN 13501-2 for the required fire resistance period. EI for flexible walls ≥100mm is also applicable for rigid walls ≥100mm!